



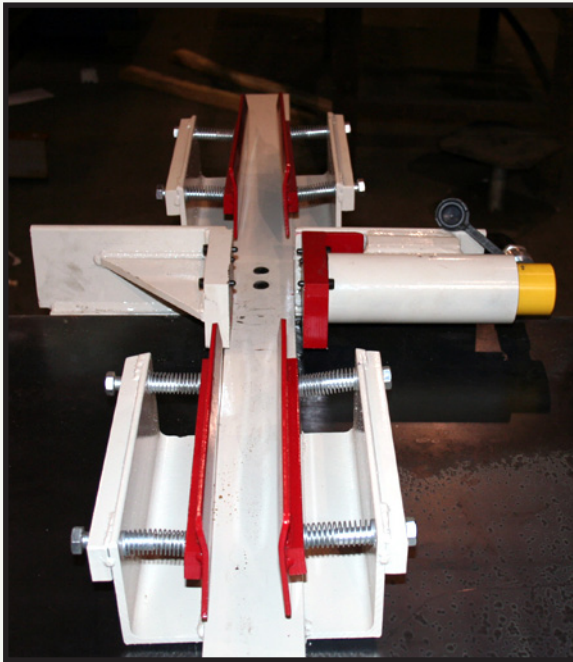
STRINGER-MATE STRINGER SPLICER



**Model SS200
Double Palm Control**

BENEFITS

- Increase Yield & Versatility of Reclaimed Material
- Fast and Simple Operation
- Creates Long, Recycled Stringers for Specialty Pallet Manufacturing



Stringer-Mate Stringer Splicers are designed to increase the yield of any pallet recycling operation. Model SS100 provides a low cost solution to yield problems and consists of simply plugging in an airline. The SS200 model offers high production splicing for operations with higher volume requirements.

These splicing machines utilize FIVESTAR metal connector plates to splice short pieces of stringers that would otherwise be scrap. The spliced product can then be cut to length to produce a strong, recycled stringer.



PRS GROUP INC.
2 Eastgate Drive Jacksonville, IL 62650

www.prsgroupinc.com
217-291-0009



STRINGER-MATE STRINGER SPLICER

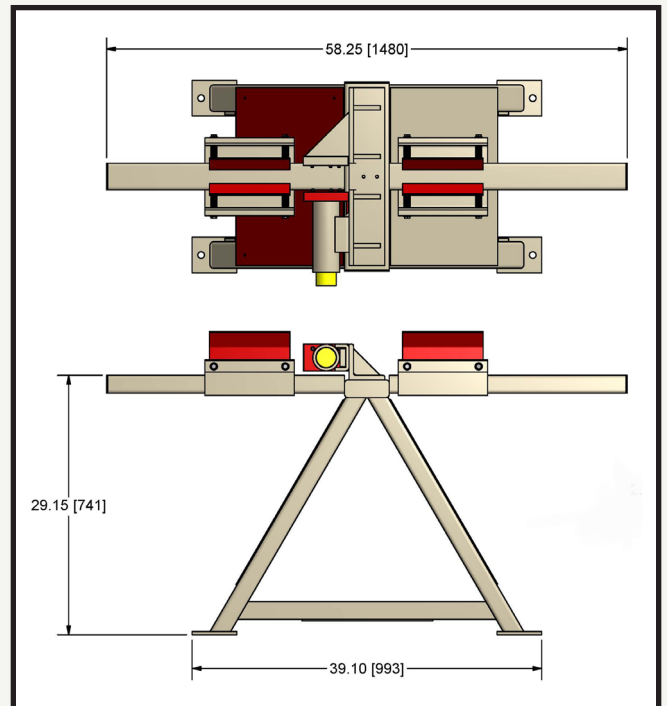


Model SS100
Foot Pedal Control



SPECIFICATIONS			
MODEL	Power	CycleTime	CycleTime
SS100	Air Over Hydraulic	5 seconds	Foot Pedal
SS200	Hydraulic 110 V / 1ph	4 seconds	Double Palm Buttons

Best when used with



PRSGROUP INC.
2 Eastgate Drive Jacksonville, IL 62650

www.prsgroupinc.com
217-291-0009