



HEAVY-DUTY & ECONOMICAL SPARTAN BANDSAW

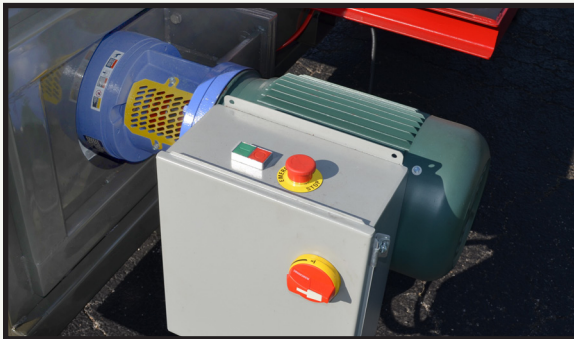


One or two person
operation with fast,
easy changeover

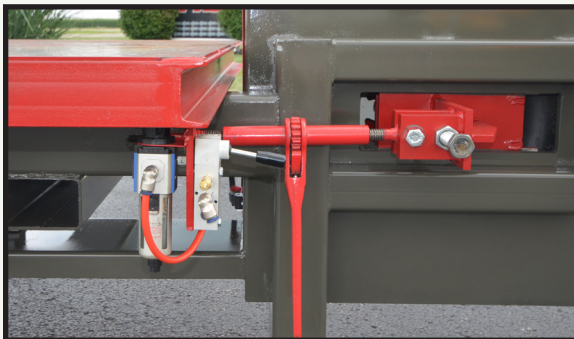
BENEFITS

- Bandsaw Type Pallet Dismantler
- 60" Wide Pallet Capacity
- Simple mechanical blade tensioning
- Pneumatic Table Lift which adjusts between ½" to 6.5" below the blade
- The removable pass back bar allows for easy changeover from 1 to 2 person operation

Direct Drive
Motor 10 HP
and
Heavy-Duty
Gear Reducer



Mechanical
Blade
Tensioning



Spartan Bandsaw is the heavy-duty and economical choice for pallet dismantling. This machine is designed for one or two person operation. The Spartan is powered by a 10 HP direct drive saw motor and a heavy-duty gear reducer with 2,200 sfpm blade speed. The 21' 9" blade is easily adjustable through simple mechanical blade tensioning. The Spartan AT model is equipped with a pneumatic table lift option which allows operator to shift blade height for easy stringer removal.



PRS GROUP INC.
2 Eastgate Drive Jacksonville, IL 62650

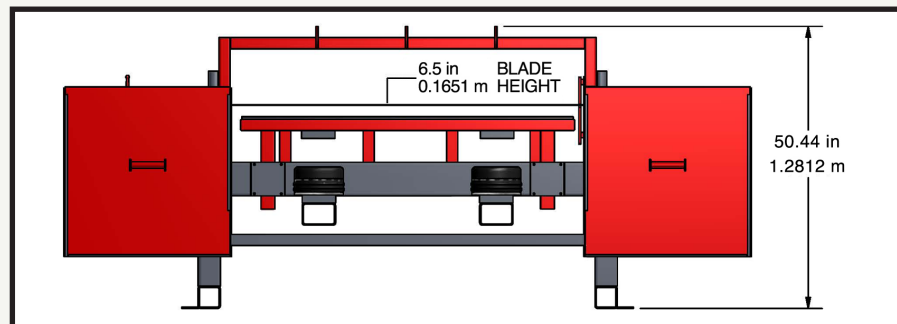
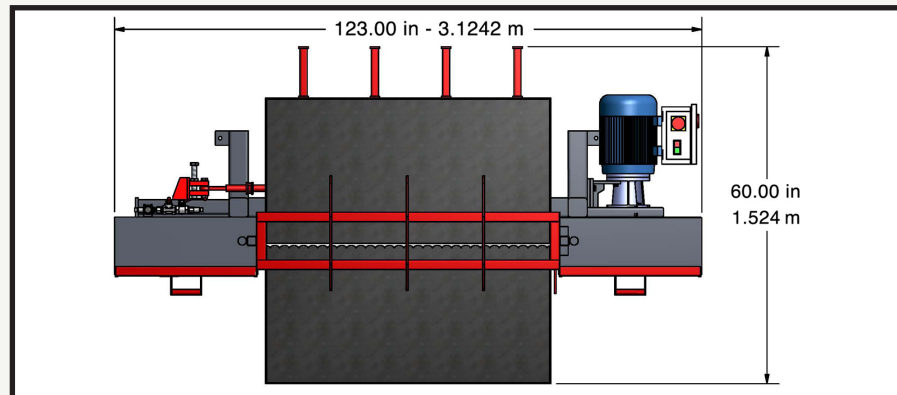
www.prsgroupinc.com
217-291-0009



HEAVY-DUTY & ECONOMICAL SPARTAN BANDSAW



SPECIFICATIONS		
	United States	International
Direct Drive Saw Motor	10 HP	7.457 KW
Adjustable Table Height *	0.5" – 6.5"	0.0127m – 0.1651 m
Pallet Width Capacity	60"	1.524 m
Blade	21' 9"	6.6294 m
Compressed Air Required	Yes	-



* Adjustable Table Height Option Available in Model AT



PRS GROUP INC.
2 Eastgate Drive Jacksonville, IL 62650

www.prsgroupinc.com
217-291-0009